

KLCRANES.INC

59 CHEMIN DU BRULE LAC BEAUPORT G3B0P5, QUEBEC
TEL 1-418-623-2898 FAX 1-418-623-2898



REMOTE CONTROL F24-8S

8 Button single step system that comes with 1 receiver + 2 Transmitter
(with a control voltage of 24/48/110/220/380 VAC 12/24 VDC)

GENERAL SPECIFICATION

Typical application :
Overhead cranes, dual hoist
Monorails, etc...
Operating Distance: 500+feet
Frequency: 310 Mhz band
Frequency generation: Crystal
(plug in)
Security coding: 4.3 billion unique
ID code
Environmental rating: IP 65
Licensing: FCC certified, no
licences needed.
FCC identifier LWN9312F24
Warranty : 2 years
Temperature rating:
-35 deg C a 75 deg C (-31 deg F a
167 deg F

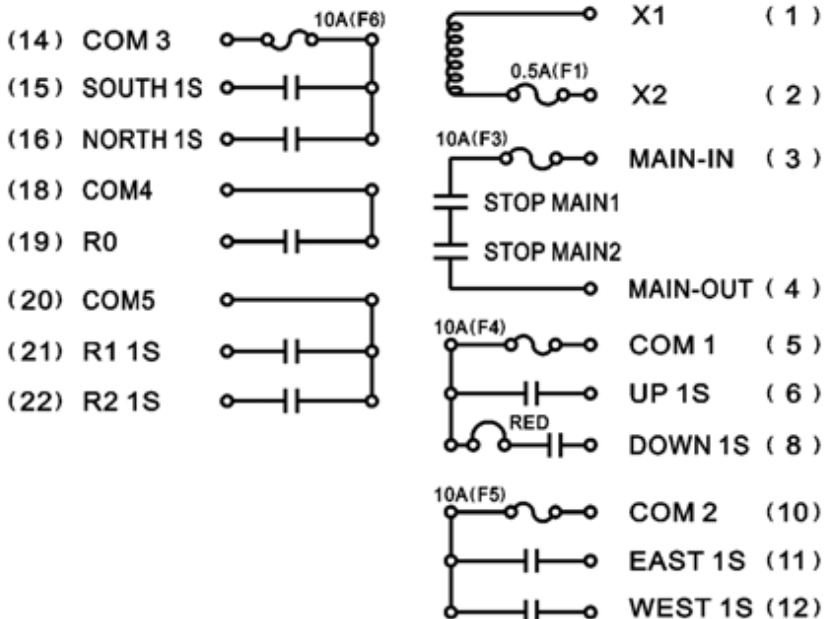
RECEVEIR SPECIFICATION

Size: W 6.5" x D 4.5" x L 10.0"
Parts : F24-8S-RX
Power standards:
110/220 VAC
Power available:
24/48/110/220/380 VAC 12/24 VDC
Relay rating :
10 Amp/250 V AC
Weight : 7 Lbs
Includes: Pre-cabled
Accessories available:
External Antenna Kit
Horn

TRANSMITER SPECIFICATIONS

Parts : F24-8S-TX
Transmitters: 1 supplied standard
Size: W 2.0" x D 2.0" x L 7.25"
Weight: 11 ounces
Matériel: Shock resistant, fiber
reinforced nylon
Power source: 2 AA alkaline batteries
Battery power indication : LED
Buttons: 8 programmable, 2 step plus
start and stop.
Rated to 2 million cycles
Start key: Setting buttons
Stop Button: Key magnetic

F24-8S



WHY BUYING TELECRANE?

Quality-price relationship
unattainable

Quick and efficient service,
contained prices of spare parts

Iso 9001 certified production

Ready delivery for the entire set of
products

Rapidity of installation, receiver
with wire cable

Test of every product provided with
its relative certificate

Contained weight and sizes,
friendly use